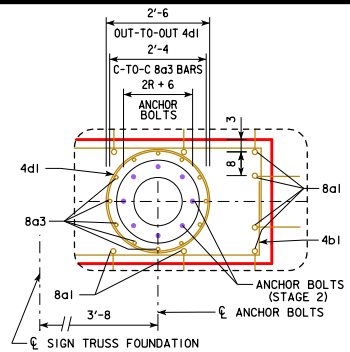
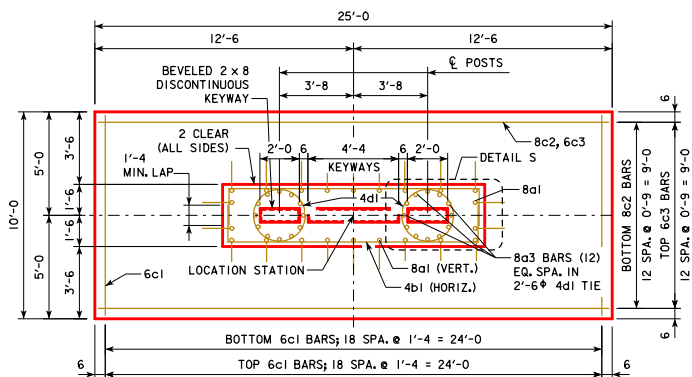


\*REVISED 03-2019: SHEET RENAMED FROM SOST-19-11 TO SOST-20-11. MODIFIED GENERAL NOTES TO CLARIFY PRICE BID FOR STAGE 1 FOUNDATION AND STAGE 2 FOUNDATION CONSTRUCTION ACTIVITIES AND TO CLARIFY THAT FOUNDATION DESIGN IS BASED ON A MAXIMUM SOIL SURCHARGE DEPTH OF 6'-0". MOVED MODIFIED GENERAL NOTES TO NEW STANDARD SHEET SOST-19-11. ADDED H (TOTAL FOUNDATION HEIGHT) AND H<sub>2</sub> (STAGE 2 STEM WALL HEIGHT) DIMENSIONS TO SIDE ELEVATION AND REINFORCING BAR LIST TO IMPROVE CLARITY. INCREASED SPECIAL BACKFILL EXTENTS SHOWN IN END ELEVATION TO 10'-0" FROM THE EXTERIOR FACE OF THE SIGN TRUSS. ENLARGED LETTERS WITH ENCLOSED NUMBERS TO IMPROVE READABILITY. UPDATED BRIDGE ENGINEER SIGNATURE.  
 \*STEEL OVERHEAD SIGN TRUSS.DGN - SOST-20-11 - THIS SHEET ISSUED 03-2013. THIS SHEET RENAMED FROM SOST-19-11 TO SOST-20-11 ON 02-20-19.



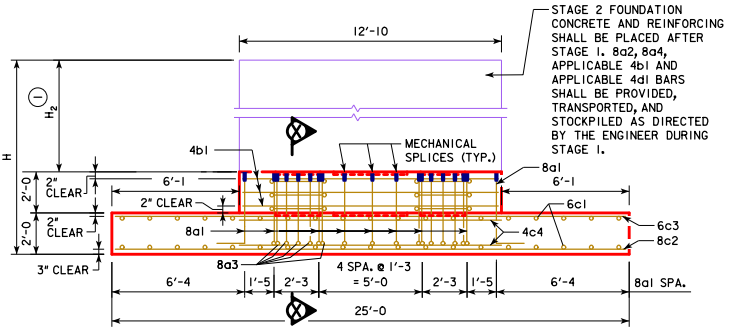
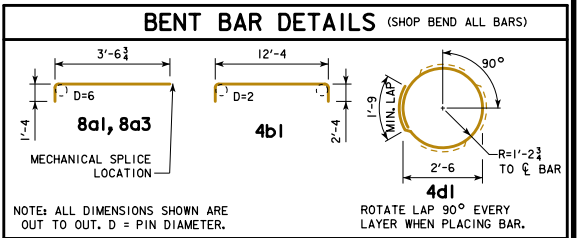
- ③ ADDITIONAL LENGTH TO BARS 8a2 AND 8a4 FOR H<sub>2</sub> > 5'-0".
- ④ TWO IN EACH 1'-0" OF H<sub>2</sub>.
- ⑤ MAINTAIN UNIFORM 1'-0" SPACING FOR ALL VALUES OF H<sub>2</sub>, WITH REMAINDER SPACING AT BOTTOM OF STAGE 2 STEM WALL 2" <math>\leq Y\_1</math> 1'-0".
- ⑥ BUNDLE TWO 4d1 CIRCULAR TIES IN TOP LAYER.

REINFORCING BAR LIST - EPOXY COATED									
ONE FOUNDATION									
BAR	SHAPE	TABULATED VALUE FOR H <sub>2</sub> = 6'-0" AND H = 10'-0"					EACH 1'-0" OF H <sub>2</sub> AND H		
		NO.	LENGTH	WEIGHT	SPACING	NO.	LENGTH	WEIGHT	
8a1		22	4'-11"	289	SEE DETAIL	---	---	---	---
8a2		22	5'-11"	348	SEE DETAIL	22	1'-0" ③	59	---
8a3		24	4'-11"	315	SEE DETAIL	---	---	---	---
8a4		24	5'-11"	379	SEE DETAIL	24	1'-0" ③	64	---
4b1		20	17'-0"	227	1'-0" ⑥	2 ④	17'-0"	23	---
6c1		38	9'-6"	542	1'-4"	---	---	---	---
8c2		13	24'-6"	850	0'-9"	---	---	---	---
6c3		13	24'-6"	478	0'-9"	---	---	---	---
4c4		4	12'-8"	34	SEE DETAIL	---	---	---	---
4d1		22 ⑥	9'-6"	140	1'-0" ⑥	2 ④	9'-6"	13	---
TOTAL					3602 LBS.	TOTAL			159 LBS.

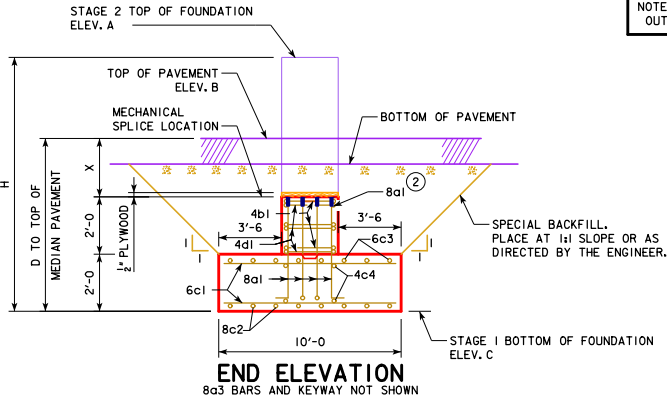
CONC. PLACEMENT QUANTITIES	
ONE FOUNDATION - STAGE 1	
ITEM	C.Y.
WALL (STAGE 1)	2.9
FOOTING	18.5
TOTAL	21.4

R	BOLT CIRCLE DIAMETER
FOR 14" POSTS (50'-100' SPANS)	7 1'-8"
FOR 16" POSTS (105'-130' SPANS)	8 1'-10"

**DETAIL S**  
**ANCHOR BOLT AND ANCHOR REINFORCING LOCATION**  
 KEYWAY NOT SHOWN  
 ANCHOR BOLTS SHOWN FOR INFORMATION ONLY. ANCHOR BOLT ASSEMBLIES WILL BE PLACED DURING STAGE 2.  
 SEE STANDARD SHEET SOST-21-11 FOR ANCHOR BOLT ASSEMBLY DETAILS.

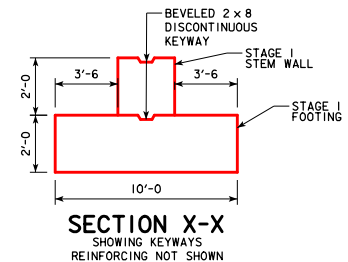


① H<sub>2</sub> = HEIGHT OF STAGE 2 STEM WALL. H<sub>2</sub> SHALL NOT EXCEED 8'-6" NOR BE LESS THAN 5'-0".



② THE 8a1 BARS SHALL BE SPLICED TO THE 8a2 BARS AT THE LOCATIONS SHOWN USING MECHANICAL SPLICES. THE 8a3 BARS AND SHALL ALSO BE SPLICED TO THE 8a4 BARS USING MECHANICAL SPLICES. MECHANICAL SPLICES SHALL BE SELECTED FROM MATERIALS I.M. 451 APPENDIX E AND BE FLUSH WITH THE TOP OF CONCRETE AT THE END OF STAGE 1 CONSTRUCTION. THE TOP OF THE STAGE 1 STEM WALL SHALL BE COVERED WITH A 1/2" THICK PLYWOOD SHEET TO KEEP CONCRETE SURFACE AND MECHANICAL SPLICES CLEAN.

ELEV. A = STAGE 2 TOP OF FOUNDATION ELEVATION  
 ELEV. B = TOP OF PAVEMENT ELEVATION  
 ELEV. C = STAGE 1 BOTTOM OF FOUNDATION ELEVATION  
 ELEV. C SHOULD BE SET SO THAT (ELEV. A - ELEV. C) IS A MULTIPLE OF 1'-0".  
 D = (ELEV. B. - ELEV. C)  
 X SHALL NOT BE LESS THAN 2'-0".  
 ELEV. A, ELEV. B AND ELEV. C SHALL BE AS SHOWN ELSEWHERE IN THESE PLANS.



WORK THIS SHEET WITH STANDARD SHEETS SOST-19-11 "STAGED FOUNDATION CONSTRUCTION NOTES" AND SOST-21-11 "STAGE 2 FOUNDATION DETAILS".

03-2019 LATEST REVISION DATE  APPROVED BY BRIDGE ENGINEER	 STANDARD DESIGN
	<b>STEEL OVERHEAD SIGN TRUSS</b> SEPTEMBER, 2011
	<b>STAGE 1 FOUNDATION DETAILS</b> <b>SOST-20-11</b> 50'-130' SPANS