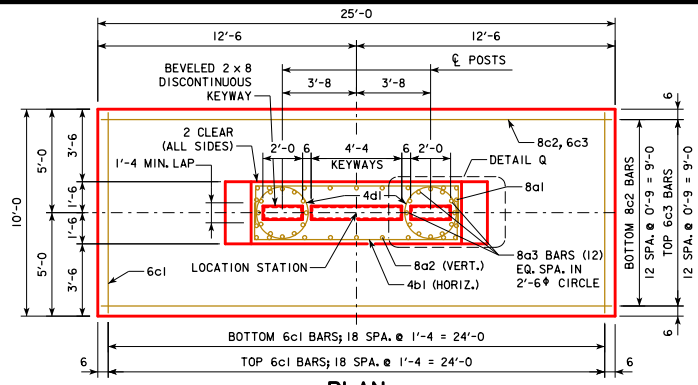
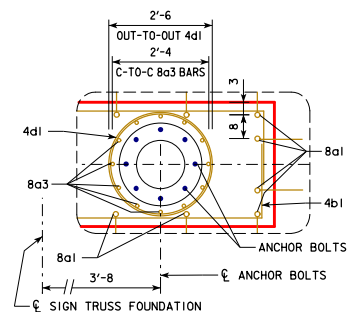


REVISED 03-2019; ADDED TWO SPECIAL BID ITEMS (ANCHOR BOLT ASSEMBLY-FURNISH AND ANCHOR BOLT ASSEMBLY-INSTALL AND SURVEY) TO CLARIFY CONTRACTORS RESPONSIBILITY TO PROVIDE ANCHOR BOLT ASSEMBLY-FURNISH AND ANCHOR BOLT ASSEMBLY-INSTALL AND SURVEY. THE COST OF FURNISHING AND INSTALLING ANCHOR BOLT ASSEMBLY-FURNISH AND ANCHOR BOLT ASSEMBLY-INSTALL AND SURVEY SHALL BE INCLUDED IN THE PRICE BID FOR "ANCHOR BOLT ASSEMBLY-FURNISH" AND "ANCHOR BOLT ASSEMBLY-INSTALL AND SURVEY". (NOTE THAT THIS IS A SPECIAL BID ITEM.) SEE STRUCTURAL ALIGNMENT/TOLERANCE NOTES ON SHEET SOST-01-11 FOR ANCHOR BOLT ASSEMBLY ALIGNMENT DOCUMENTATION REQUIREMENTS. CONTRACT ITEMS FOR OVERHEAD SIGN TRUSS FOUNDATION CONSTRUCTION ARE:
 REINFORCING STEEL, EPOXY COATED - POUNDS
 STRUCTURAL CONCRETE (MISCELLANEOUS) - CUBIC YARDS
 EXCAVATION - CUBIC YARDS OF CLASS SPECIFIED
 ANCHOR BOLT ASSEMBLY-FURNISH (SPECIAL BID ITEM) - POUNDS
 ANCHOR BOLT ASSEMBLY-INSTALL AND SURVEY (SPECIAL BID ITEM) - EACH
 TOP-OF-WALL ELEVATION IS TO BE SET AT SAME ELEVATION AS HIGH POINT ON ROADWAY OR AS DIRECTED BY THE ENGINEER.



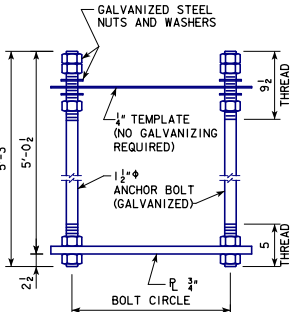
PLAN

ANCHOR BOLT ASSEMBLIES NOT SHOWN



DETAIL Q

ANCHOR BOLT AND ANCHOR REINFORCING PLACEMENT
KEYWAY NOT SHOWN



ANCHOR BOLT ASSEMBLY

WEIGHT OF ONE ANCHOR BOLT ASSEMBLY (INCLUDES TEMPLATE, EXCLUDES GALVANIZING WEIGHT)
 50'-100' SPANS: 388 LBS.
 105'-130' SPANS: 397 LBS.

GENERAL NOTES:

STRUCTURAL CONCRETE, CLASS C, SHALL BE USED FOR THE FOUNDATION.
 EXCAVATION FOR THE FOUNDATION SHALL BE TO NEAT LINES AND CONCRETE SHALL BE PLACED AGAINST THE UNDISTURBED MATERIAL. ALL EXCAVATION FOR THE FOUNDATION SHALL BE DISPOSED IN THE AREA ADJACENT TO THE FOUNDATION AND SHARPED TO NORMAL GROUND CONTOUR, UNLESS OTHERWISE DIRECTED BY THE ENGINEER. THE FOUNDATION DETAILS SHOWN ARE BASED ON A NET ALLOWABLE SOIL BEARING PRESSURE (FOR SETTLEMENT) OF 1.0 TON / FT². FOUNDATION DESIGN IS BASED ON A MAXIMUM SOIL SURCHARGE DEPTH OF 6'-0\"/>

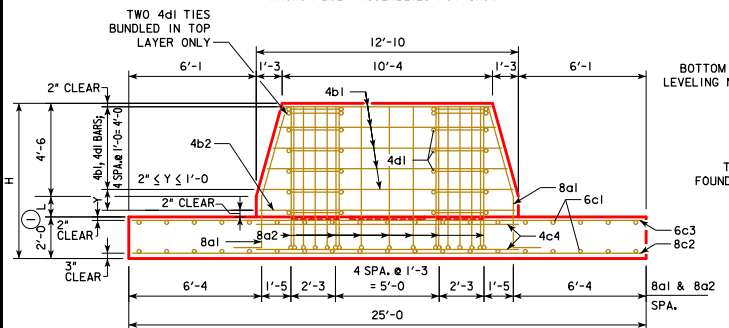
TWO ANCHOR BOLT ASSEMBLIES INCLUDING ANCHOR PLATES, TEMPLATES, NUTS (5 PER BOLT) AND WASHERS (2 PER BOLT) ARE REQUIRED PER FOUNDATION.

ALL ANCHOR BOLT MATERIALS AND GALVANIZING SHALL BE IN ACCORDANCE WITH ARTICLE 4187.01, C, 3 OF THE STANDARD SPECIFICATIONS.

PRICE BID FOR CONTRACT ITEMS SHALL INCLUDE ALL LABOR AND MATERIALS NECESSARY TO CONSTRUCT OVERHEAD SIGN TRUSS FOUNDATION AS DETAILED HEREON. THE COST OF FURNISHING AND INSTALLING CONDUIT AND RODENT GUARDS SHALL BE INCLUDED IN THE PRICE BID FOR "STRUCTURAL CONCRETE (MISCELLANEOUS)" AND NO SEPARATE PAYMENT WILL BE MADE. THE COST OF FURNISHING ANCHOR BOLT ASSEMBLIES SHALL BE INCLUDED IN THE PRICE BID FOR "ANCHOR BOLT ASSEMBLY-FURNISH". (NOTE THAT THIS IS A SPECIAL BID ITEM.) THE COST OF ACCURATELY INSTALLING AND SURVEYING ANCHOR BOLT ASSEMBLIES SHALL BE INCLUDED IN THE PRICE BID FOR "ANCHOR BOLT ASSEMBLY-INSTALL AND SURVEY". (NOTE THAT THIS IS A SPECIAL BID ITEM.) SEE STRUCTURAL ALIGNMENT/TOLERANCE NOTES ON SHEET SOST-01-11 FOR ANCHOR BOLT ASSEMBLY ALIGNMENT DOCUMENTATION REQUIREMENTS. CONTRACT ITEMS FOR OVERHEAD SIGN TRUSS FOUNDATION CONSTRUCTION ARE:

- REINFORCING STEEL, EPOXY COATED - POUNDS
- STRUCTURAL CONCRETE (MISCELLANEOUS) - CUBIC YARDS
- EXCAVATION - CUBIC YARDS OF CLASS SPECIFIED
- ANCHOR BOLT ASSEMBLY-FURNISH (SPECIAL BID ITEM) - POUNDS
- ANCHOR BOLT ASSEMBLY-INSTALL AND SURVEY (SPECIAL BID ITEM) - EACH

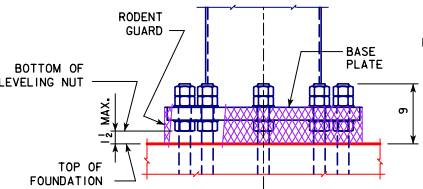
TOP-OF-WALL ELEVATION IS TO BE SET AT SAME ELEVATION AS HIGH POINT ON ROADWAY OR AS DIRECTED BY THE ENGINEER.



SIDE ELEVATION

ANCHOR BOLT ASSEMBLIES NOT SHOWN

① L SHALL NOT EXCEED 6'-0"



POST BASE DETAIL

SHOWING THE RODENT GUARD

THE RODENT GUARD SHALL BE PLACED AROUND THE BASE PLATE.

THE RODENT GUARD IS STAINLESS STEEL STANDARD GRADE WIRE CLOTH, 1/4" MAXIMUM OPENING WITH A MINIMUM WIRE DIAMETER OF AWG NO. 16 WITH A MINIMUM 2" LAP.

SECURE WIRE CLOTH TO BASE PLATE AFTER ERECTION WITH 3/8" STAINLESS STEEL BANDING. THE RODENT GUARD SHALL NOT EXTEND ABOVE THE TOP OF THE BASE PLATE.

	R	BOLT CIRCLE DIAMETER
FOR 14" POSTS (50'-100' SPANS)	7	1'-8"
FOR 16" POSTS (105'-130' SPANS)	8	1'-10"

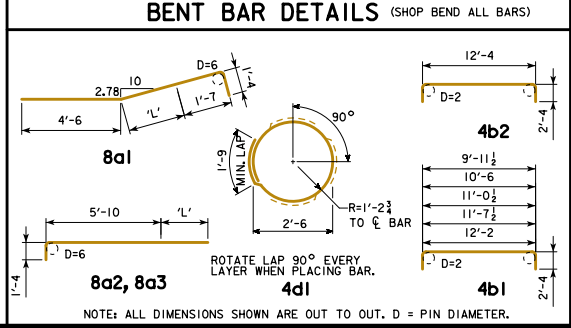
CONCRETE PLACEMENT QTY.

ITEM	L = 0	EACH 1'-0 OF L
WALL	5.71	1.41
FOOTING	18.52	---
TOTAL (C.Y.)	24.23	1.41

REINFORCING BAR LIST - EPOXY COATED

BAR	SHAPE	TABULATED VALUE FOR L = 0 AND H = 6'-6"				EACH 1'-0 OF L AND H		
		NO.	LENGTH	WEIGHT	SPACING	NO.	LENGTH WEIGHT	
8a1		8	7'-5"	158	SEE DETAIL	8	1'-0 ② 21	
8a2		14	7'-2"	268	SEE DETAIL	14	1'-0 ② 37	
8a3		24	7'-2"	459	SEE DETAIL	24	1'-0 ② 64	
4b1		10	VARIES	105	1'-0 ④	---	---	
4b2		---	---	---	---	2 ③	17'-0 23	
6c1		38	9'-6"	542	1'-4	---	---	
8c2		13	24'-6"	850	0'-9	---	---	
6c3		13	24'-6"	478	0'-9	---	---	
4c4		4	12'-8"	34	SEE DETAIL	---	---	
4d1		12 ⑤	9'-6"	76	1'-0 ④	2 ③	9'-6 13	
				TOTAL 2970 LBS.	TOTAL 158 LBS.			

- ADDITIONAL LENGTH TO BARS 8a1, 8a2, AND 8a3 FOR L > 0.
- TWO IN EACH 1'-0 OF L.
- MAINTAIN UNIFORM 1'-0 SPACING FOR ALL VALUES OF L, WITH REMAINDER SPACING AT BOTTOM OF STEM WALL 2" ≤ Y ≤ 1'-0.
- BUNDLE TWO 4d1 CIRCULAR TIES IN TOP LAYER.



FOR DMS TRUSSES ONLY

ELECTRICAL CONDUIT IS REQUIRED IN FOUNDATIONS SUPPORTING TRUSSES WITH DYNAMIC MESSAGE SIGNS. SEE STANDARD SHEET SOST-18-11 FOR CONDUIT LOCATION DETAILS.

03-2019
 LATEST REVISION DATE
 APPROVED BY BRIDGE ENGINEER

STANDARD DESIGN
STEEL OVERHEAD SIGN TRUSS
 SEPTEMBER, 2011
NON-STAGED FOUNDATION DETAILS
 50'-130' SPANS

SOST-17-11