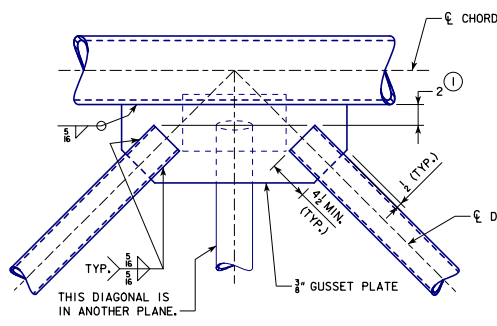
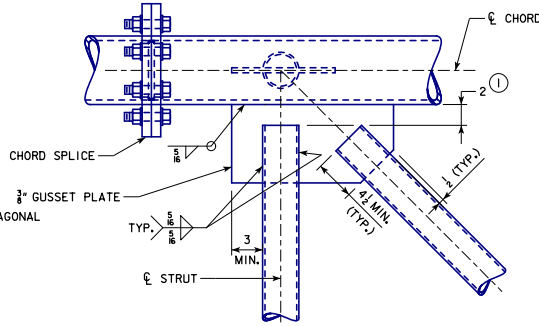


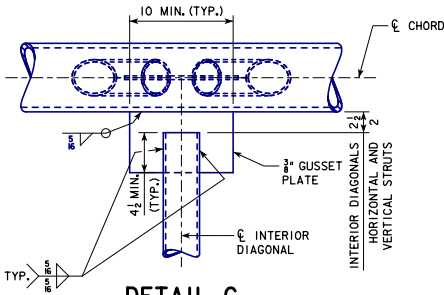
*REVISED 03-2019: MODIFIED DETAIL E NOTES TO CLARIFY THAT 1" HOLE IS AT END OF 1/2" SLOT IN PIPE FOR 3/8" GUSSET PLATE. CLARIFIED ACCEPTABLE HARDNESS OF NEOPRENE PAD. REPLACED NOTE IDENTIFIER ASTRIK WITH ENCIRCLED NUMBERS TO IMPROVE READABILITY. UPDATED BRIDGE ENGINEER SIGNATURE.
 *REVISED 04-2020: REPLACED DETAIL D NOTE IDENTIFIER ASTRIK WITH ENCIRCLED NUMBER TO IMPROVE READABILITY. LENGTHENED DIMENSIONAL EXTENSION LINE IN DETAILS A AND B TO CLARIFY 2" DISTANCE BETWEEN END OF WEB MEMBERS AND CHORD. LENGTHENED DIMENSIONAL EXTENSION LINE IN SLOTTED-PIPE-ENDS DETAIL TO CLARIFY THAT DIMENSIONAL EXTENSION LINE IS TANGENT TO CHORD.
 *STEEL-OVERHEAD-SIGN-TRUSS.DGN - SOST-08-11 - THIS SHEET ISSUED 09-2011.



DETAIL A

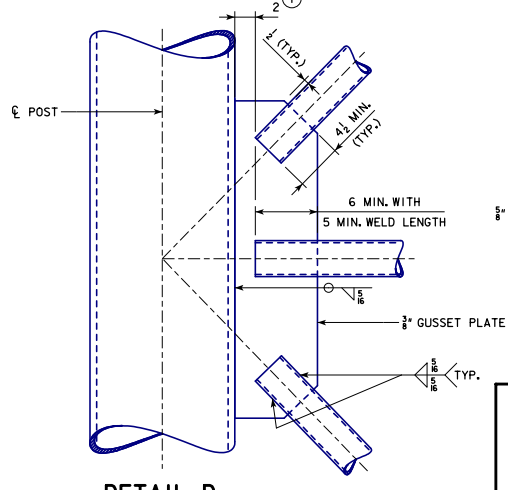


DETAIL B

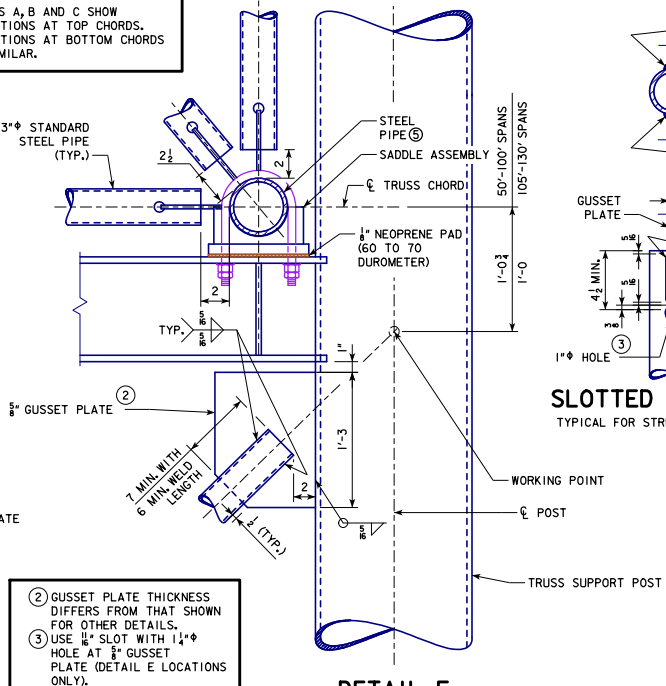


DETAIL C

DETAILS A, B AND C SHOW CONNECTIONS AT TOP CHORDS. CONNECTIONS AT BOTTOM CHORDS ARE SIMILAR.

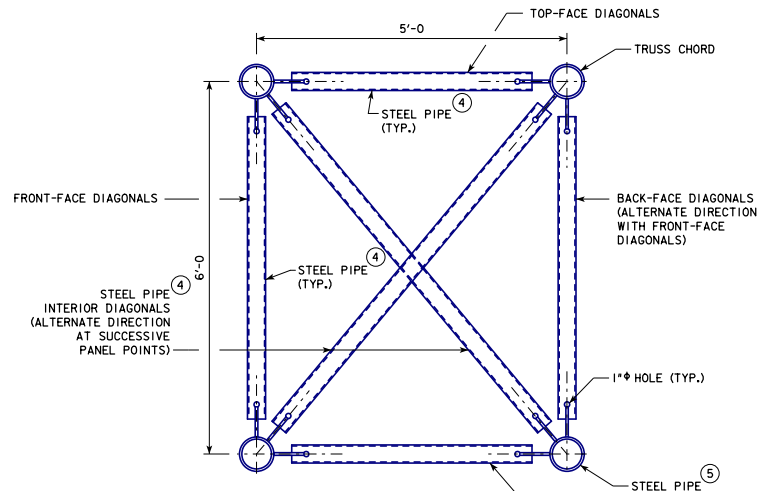


DETAIL D



DETAIL E

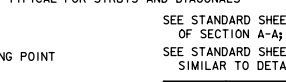
② GUSSET PLATE THICKNESS DIFFERS FROM THAT SHOWN FOR OTHER DETAILS.
 ③ USE 1/2" SLOT WITH 1 1/4" HOLE AT 3/8" GUSSET PLATE (DETAIL E LOCATIONS ONLY).



SECTION A-A

TRUSS PIPE DETAILS		
SPAN	④ TRUSS DIAGONALS	⑤ TRUSS CHORDS
50'-100'	3"φ STANDARD STEEL PIPE	5"φ EXTRA-STRONG STEEL PIPE
105'-130'	3"φ EXTRA-STRONG STEEL PIPE	6"φ EXTRA-STRONG STEEL PIPE

SLOTTED PIPE ENDS
TYPICAL FOR STRUTS AND DIAGONALS



SEE STANDARD SHEETS SOST-02-11, SOST-03-11, SOST-04-11 AND SOST-05-11 FOR LOCATIONS OF SECTION A-A; DETAILS A, B AND C; AND DETAIL SIMILAR TO DETAIL A.
SEE STANDARD SHEETS SOST-06-11 AND SOST-07-11 FOR LOCATIONS OF DETAILS THAT ARE SIMILAR TO DETAILS B AND C AND LOCATIONS OF DETAILS D AND E.

04-2020 LATEST REVISION DATE APPROVED BY BRIDGE ENGINEER	 STANDARD DESIGN	
	STEEL OVERHEAD SIGN TRUSS SEPTEMBER, 2011	
	GUSSET PLATE CONNECTIONS 50'-130' SPANS	SOST-08-11