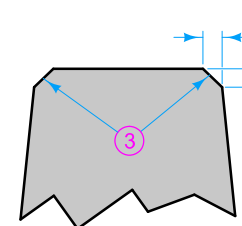
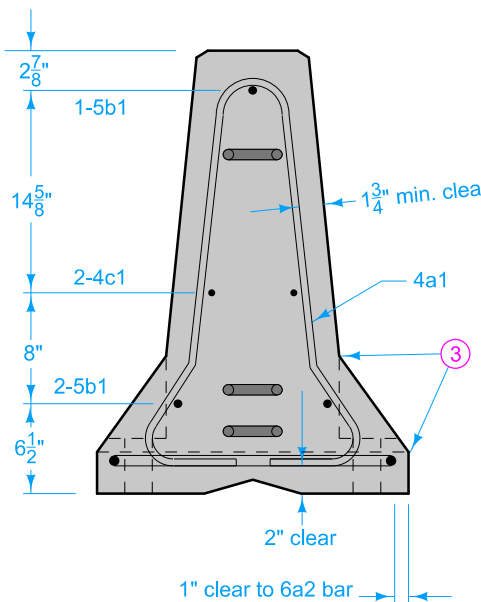


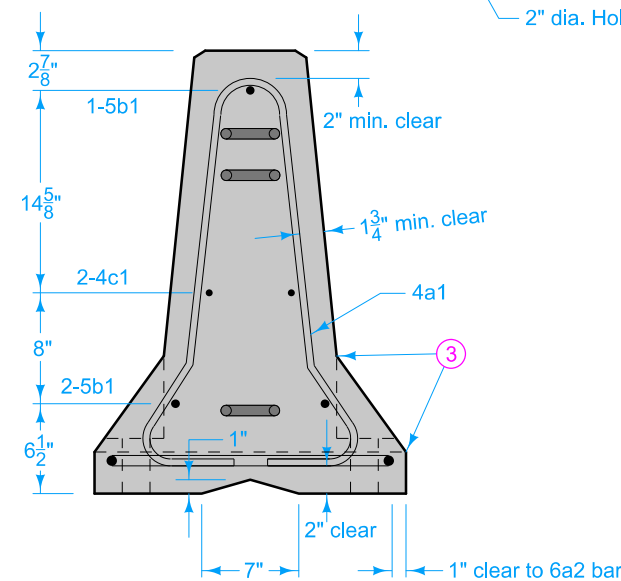
SECTION A-A
Lifting Slot



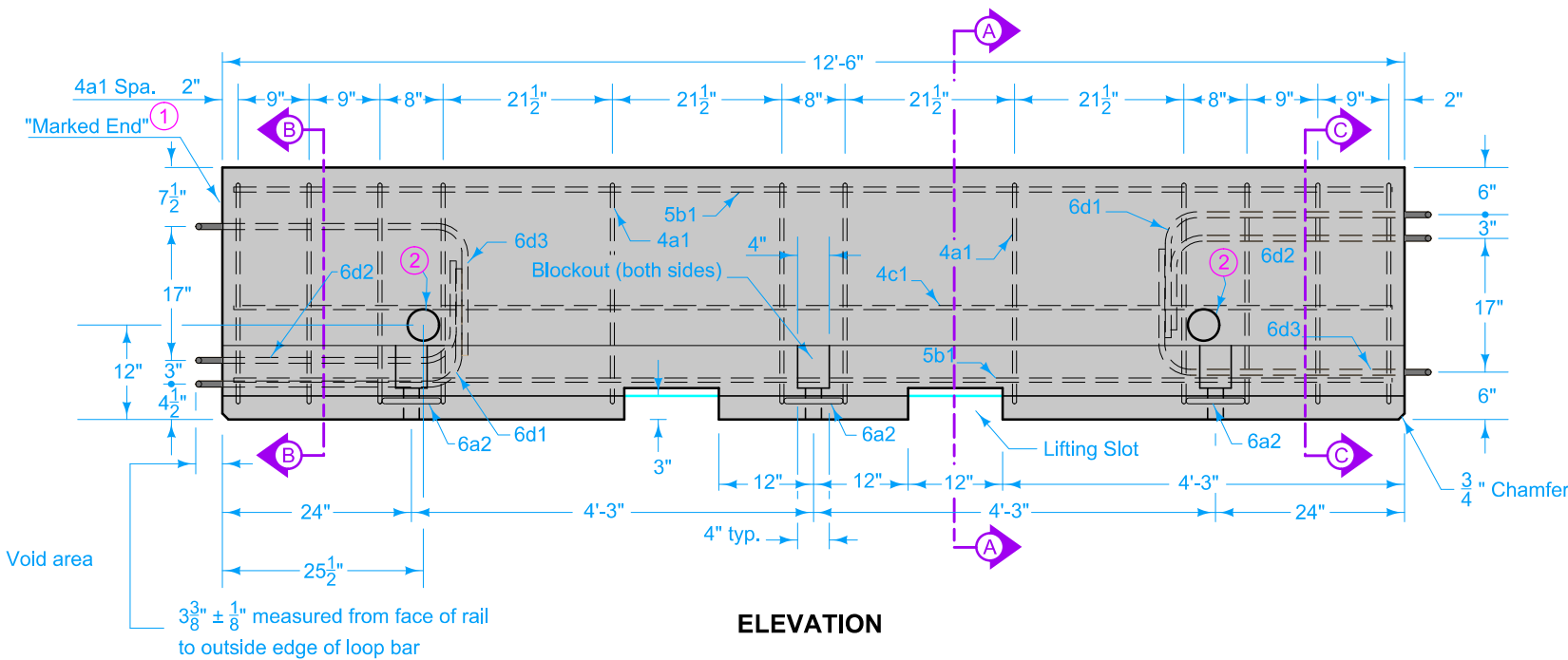
CHAMFER DETAIL



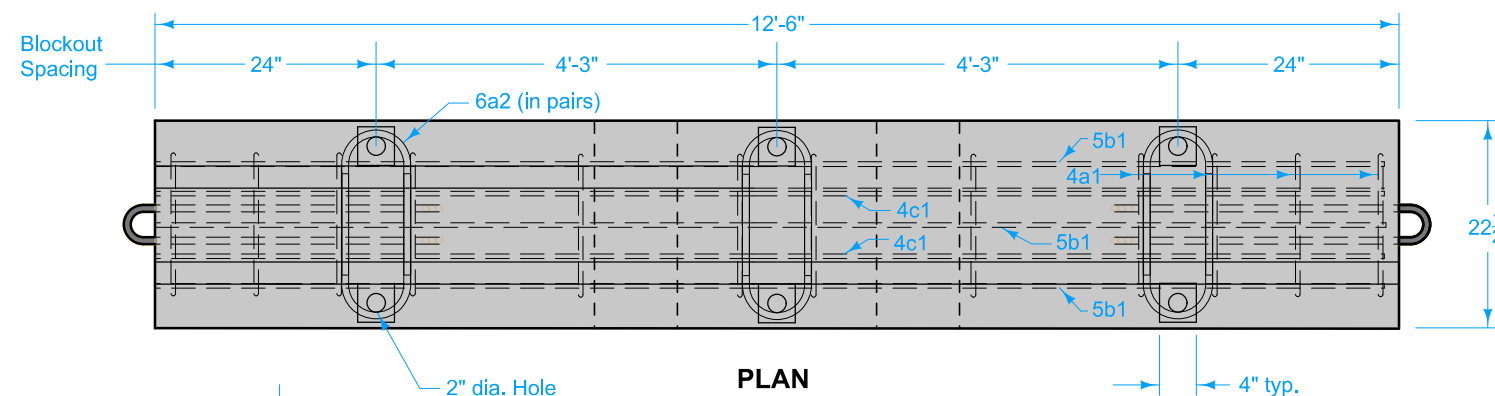
SECTION B-B
Stirrup Placement



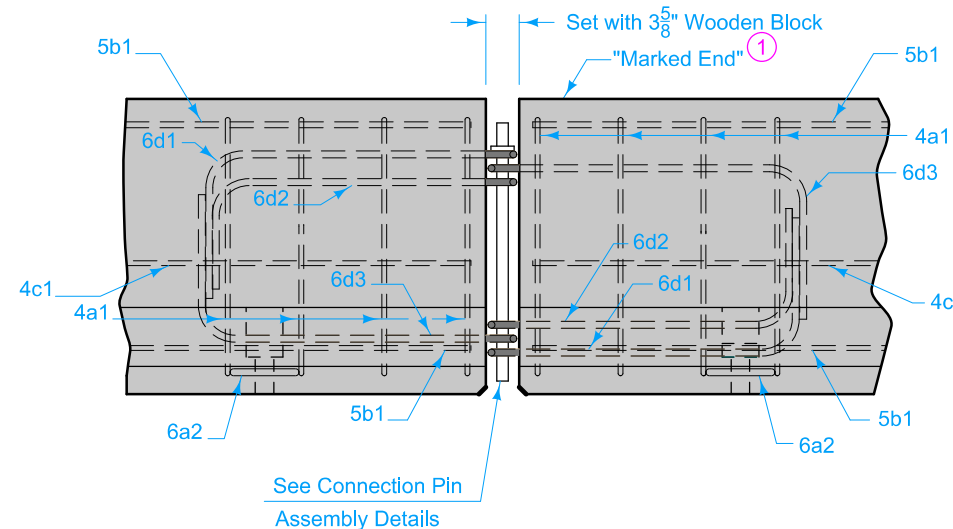
SECTION C-C
Stirrup Placement



ELEVATION



PLAN



BARRIER CONNECTION
(Elevation)

For loop bars 6d1, 6d2, and 6d3, use $\frac{3}{4}$ " smooth steel bars with a minimum yield strength of 60 ksi, a tensile strength of not less than 1.25 times the yield strength but a minimum of 80 ksi, a minimum 14% elongation in 8 inches, and passing a 180 degree bend test using a $3\frac{1}{2}$ " pin bend diameter.

Install loops within $\frac{1}{8}$ " of the plan dimensions.

Use Grade 60, ASTM A615 for all other reinforcements. Do not lift or move using loop bars 6d1, 6d2 or 6d3.

Provide for an approved monitoring schedule with a person on call and available 24 hours a day, each day of the week, to realign barrier which has been struck. Initiate service within one hour of notification of need.

Unless stated otherwise in the plans, the barrier rail sections shall be the property of the Contractor. Remove from the site upon completion of work.

Following removal of anchorage, fill all holes with an approved non-shrink grout.

Tapered end section is not designed for use within 30 feet of traffic on facilities with speed limits 55 mph or greater, nor within 10 feet of traffic on facilities with speed limits 40 mph to 50 mph.

Estimated quantity of concrete for one taper section is 0.6 cubic yards.

Include the cost of anchorage, when required in the price bid for "Temporary Barrier Rail, Concrete".

① Permanently mark one end of each rail section with manufacturing information. The "marked end" is that end of the barrier having one loop bar at the top and two loop bars at the bottom. Include the following information in the marking:

- Manufacturer Identification
- Date Manufactured (Month and Year)
- BA-401 Type A

② Lifting hole. 4 inch diameter PVC Pipe.

③ 1 inch radius allowed.

Possible Contract Item:
Temporary Barrier Rail, Concrete

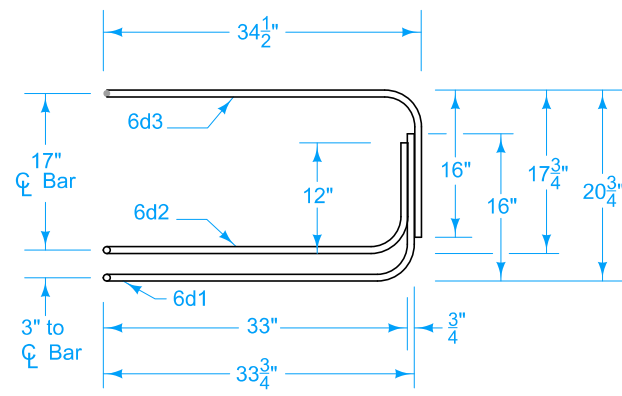
Possible Tabulation:
108-33

 STANDARD ROAD PLAN	REVISION	
	3	04-20-21
BA-401		SHEET 1 of 4

REVISIONS: Changed Obstacle to Object.

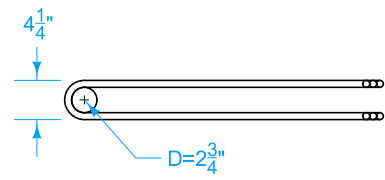
Shawn Miller
APPROVED BY DESIGN METHODS ENGINEER

TEMPORARY BARRIER RAIL
(PRECAST CONCRETE)



Elevation

(Marked end shown, invert for other end.)

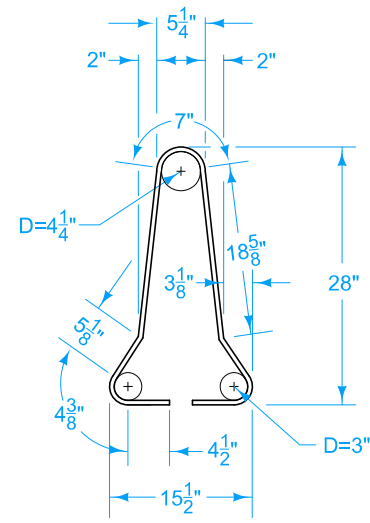


Plan

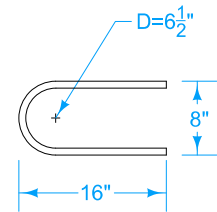
6d1, 6d2, 6d3

BENT BAR DETAILS

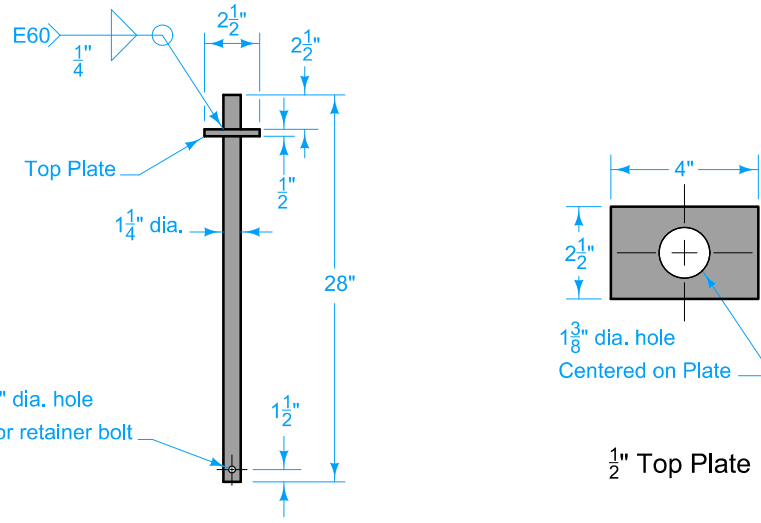
(Dimensions are out to out of bars unless otherwise noted.)



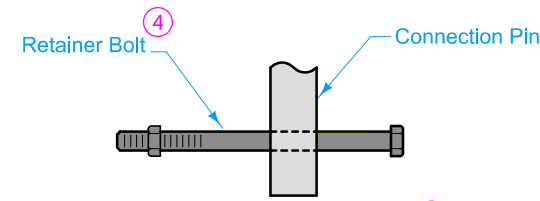
4a1



6a2



CONNECTION PIN
(A36 Steel - 10.9 lbs. each)



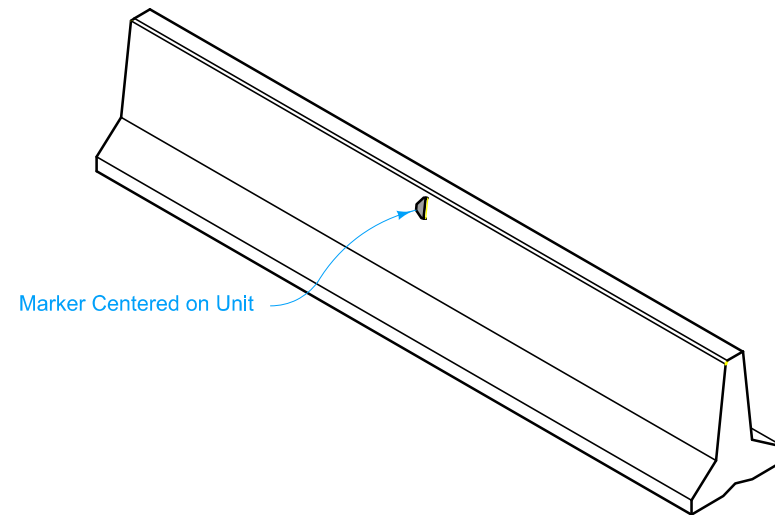
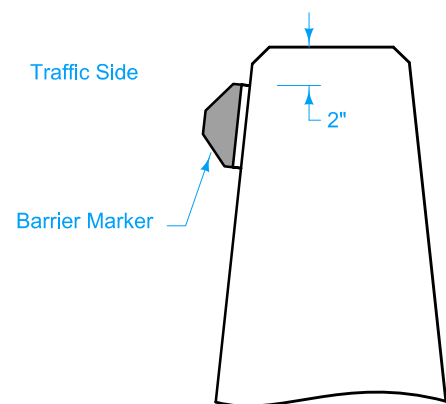
RETAINER BOLT & NUT
1/2" dia. bolt & nut
(ASTM A490, Grade 8)

CONNECTION PIN ASSEMBLY

- ④ Retainer bolt & nut are required for connections with 2-loop barriers (previous designs) or in conjunction with Strap Anchorage.
- ⑤ Furnish and install Barrier Markers. Attach to the barrier in a manner approved by the manufacturer. Markers to face oncoming traffic and match the adjacent edge line in color. Maintain the markers and promptly repair or replace any damaged or missing units. Include costs for furnishing, installing and maintaining markers in the price bid for "Temporary Barrier Rail, Concrete."

Per 12'-6" Barrier Section

REINFORCING A615 Gr. 60					
Bar	Bar Size	Shape	No. of Bars	Length Ft.	Weight Lbs.
4a1	4		12	6'-0"	48.1
6a2	6		6	35"	26.3
5b1	5		3	12'-2"	38.1
4c1	4		2	12'-2"	16.3
LOOP ASSEMBLY					
6d1	6		2	8'-5"	25.3
6d2	6		2	7'-7"	22.8
6d3	6		2	8'-6"	25.5



BARRIER MARKER PLACEMENT

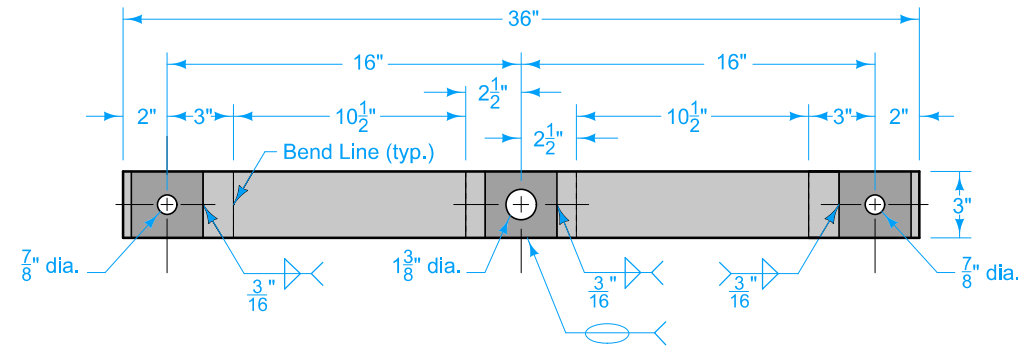
	REVISION	
	3	04-20-21
STANDARD ROAD PLAN		BA-401
REVISIONS: Changed Obstacle to Object.		SHEET 2 of 4

APPROVED BY DESIGN METHODS ENGINEER

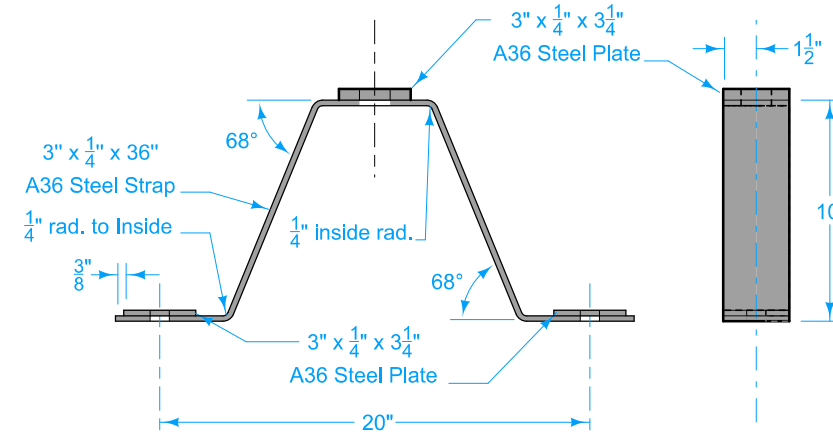
**TEMPORARY BARRIER RAIL
(PRECAST CONCRETE)**

STRAP ANCHORAGE

For use on:
Bridge Decks
PCC Pavement



TIE-DOWN STRAP
(before bending)



TIE-DOWN STRAP
(after bending)

Traffic Side

Connection Pin Assembly

Tie-Down Strap

Anchor (typ.)

Edge of Dropoff or Fixed Vertical Object

See Table A

END VIEW

STAKE ANCHORAGE

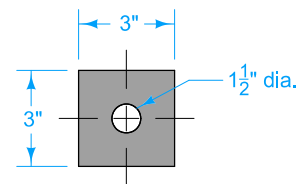
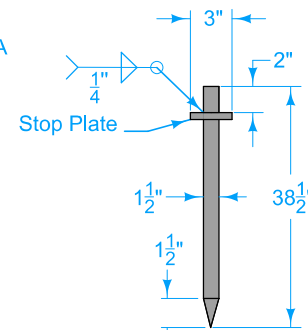
For use on:
HMA Pavement (2" min. thickness) **8**
Composite Pavement **8**
PCC Pavement **8**

Traffic Side

Stake **7**

Edge of Dropoff or Fixed Vertical Object

See Table A



1" STOP PLATE

STAKE

TYPICAL SECTION

TABLE A
ANCHORAGE REQUIREMENTS

Object	Dropoff Depth	Min. offset where TBR is Unanchored	Min. offset where TBR is Anchored
		24"	6"
Dropoff*	from pavement	≤ 24"	24"
		> 24"	45"
Fixed vertical object	from bridge	≤ 3"	1"
		> 3"	45"
		N/A	6"

* A dropoff is a slope of 2H:1V or steeper

- 6** 3/4 inch Red Head Multi-Set II drop-in anchor with 3/4" dia. x 1 3/4" long ASTM A325 structural bolt OR Red Head Large Diameter Tapcon (3/4" dia. x 4 1/2" min.) OR Simpson Titen HD Wedge Bolt (3/4" dia. x 5" min.).
- 7** 3 stakes required per rail section.
- 8** Pre-drill holes for stakes with 1 5/8" core bit.

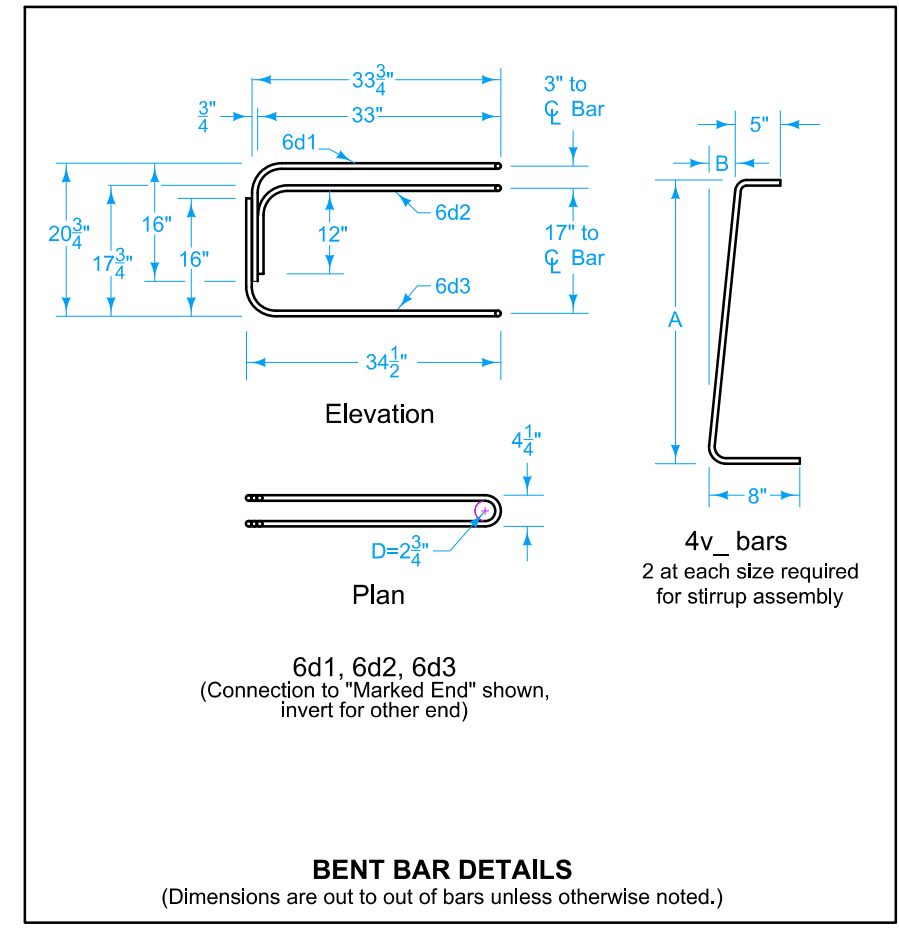
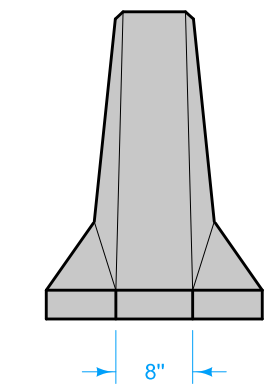
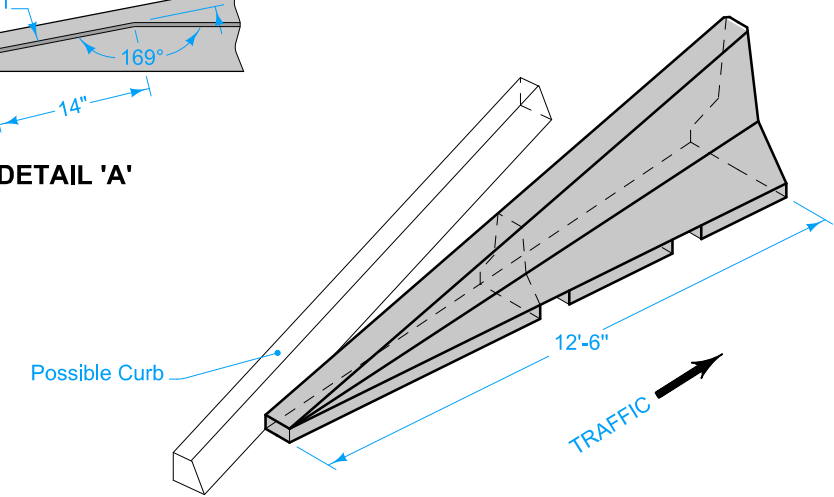
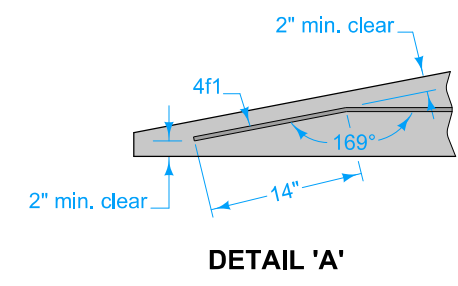
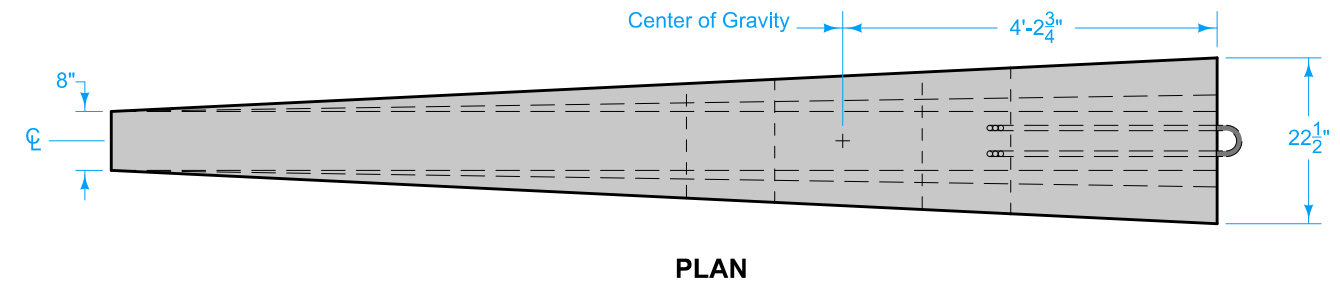
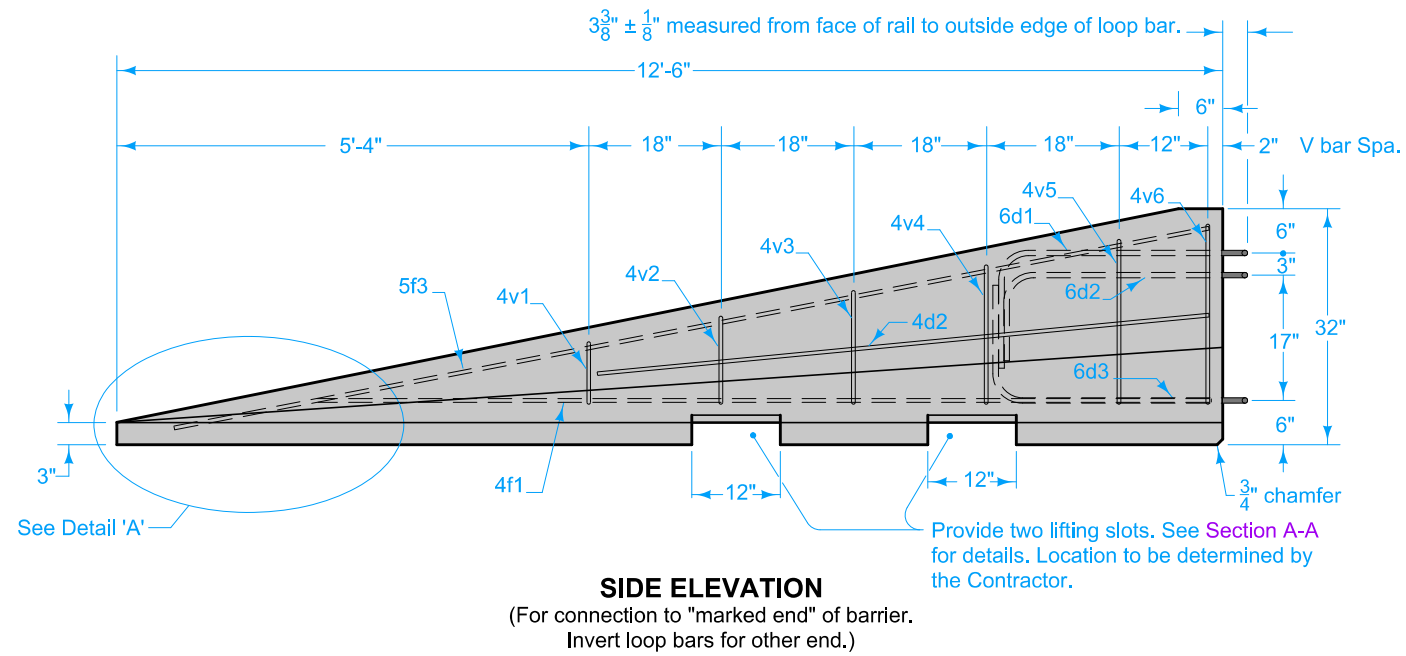
	REVISION	
	3	04-20-21
STANDARD ROAD PLAN		BA-401
		SHEET 3 of 4

REVISIONS: Changed Obstacle to Object.

Shawn Miller
APPROVED BY DESIGN METHODS ENGINEER

TEMPORARY BARRIER RAIL
(PRECAST CONCRETE)

TAPERED END SECTION

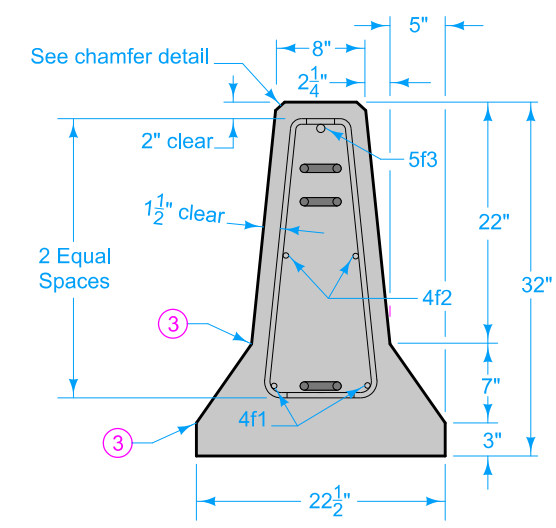


③ 1 inch radius allowed.

Per 12'-6" Barrier Taper Section

REINFORCING A615 Gr. 60					
Bar	Bar Size	Shape	No. of Bars	Length ft.	Weight lbs.
4v1	4	[2	23"	2.6
4v2	4	[2	26"	2.9
4v3	4	[2	30"	3.3
4v4	4	[2	33"	3.7
4v5	4	[2	3'-2"	4.2
4v6	4	[2	3'-4"	4.5
4f1	4	—	2	12'-0"	16.0
4f2	4	—	2	7'-6"	10.0
5f3	5	—	1	11'-9"	12.3
LOOP ASSEMBLY					
6d1	6	⌢	1	8'-5"	12.6
6d2	6	⌢	1	7'-7"	11.4
6d3	6	⌢	1	8'-6"	12.8

Bar	A	B
4v1	10"	1"
4v2	13"	1 1/4"
4v3	17"	1 5/8"
4v4	20"	1 7/8"
4v5	24 1/2"	2 3/8"
4v6	27"	2 3/4"



	REVISION
	3 04-20-21
STANDARD ROAD PLAN	BA-401
SHEET 4 of 4	

REVISIONS: Changed Obstacle to Object.

Steve Miller
APPROVED BY DESIGN METHODS ENGINEER

TEMPORARY BARRIER RAIL (PRECAST CONCRETE)